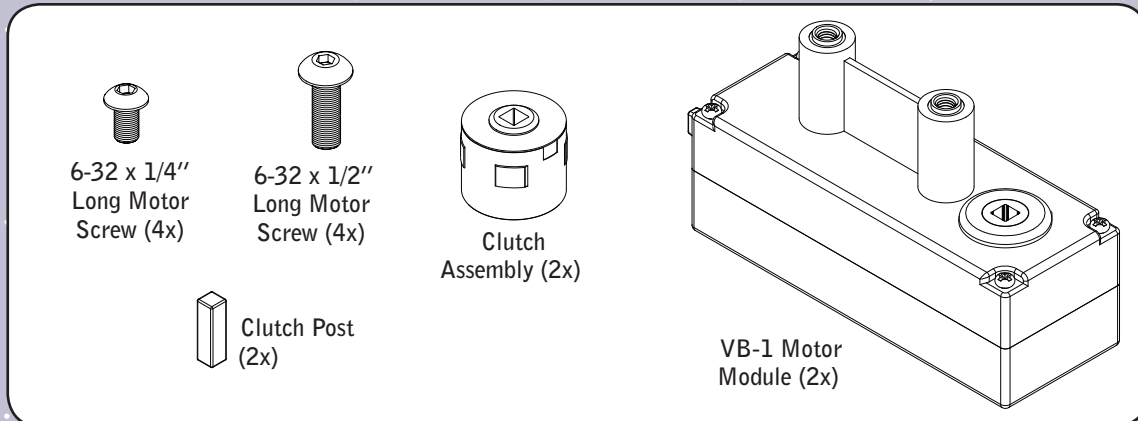


VB-1 Motor Kit

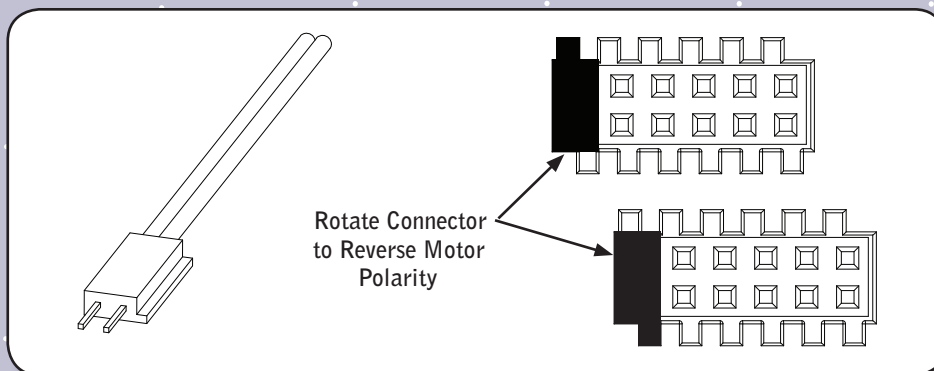
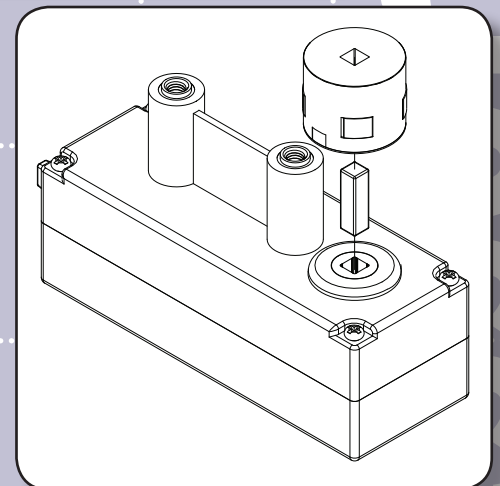
Accomplish advanced tasks, and create new mechanisms with the VB-1 Motor Kit. At the heart of every Vex mechanism is a motor. These motors convert electrical energy into mechanical energy by spinning either forward or backward at a controlled speed. This kit provides users with (2x) additional VB-1 Motors, (2x) Clutch Assembly, and all the required mounting hardware for use in robot construction.



The VB-1 Motor comes with an optional Clutch Assembly. This clutch mounts on top of the VB-1 Motor, protecting the Motor from any sudden "shock loads". To install the clutch, insert a clutch post into the square hole motor-output, and then insert the clutch on top of this clutch post.

The Motor is designed to mount in any Vex structural component, and contains mounting hardware in two different lengths.

The VB-1 Motor has a 2-prong PWM cable, which connects it to its controller; the Vex-RC "blue" Receiver. This PWM cable can be reversed to switch the polarity of the motor. For more information on this, refer to the Vex-RC Receiver instructions, or the VEXplorer manual.



Limited 90-day Warranty
This product is warranted by Innovation First against manufacturing defects in material and workmanship under normal use for ninety (90) days from the date of purchase from authorized Innovation First dealers. For complete warranty details and exclusions, check with your dealer.

Innovation First, Inc.
1519 IH 30 W
Greenville, TX 75402

08/07 Rev A

For More Information, and additional Parts & Pieces refer to:
www.VexRobotics.com