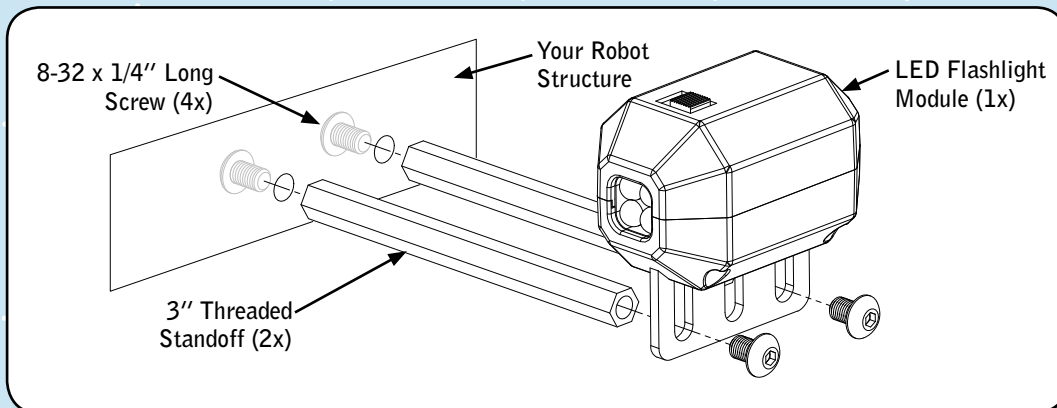


Flashlight Kit

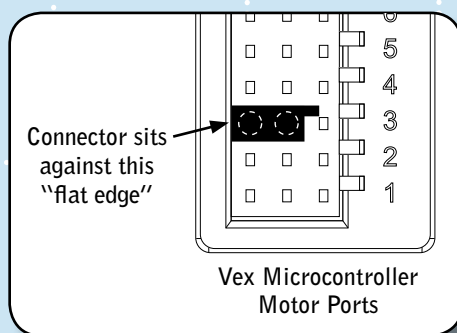
The Flashlight Kit will help your robots see in the dark! The included Flashlight will turn night into day with its four powerful LEDs, allowing for robot operation in low-light conditions.

Instructions for use:

1. Simply mount the Flashlight either using the included standoffs and screws, or other Vex hardware.
 - a. The mounting tab at the bottom of the Flashlight will allow it to mount easily onto the side of any Vex component.



2. Plug the 2-prong cable into a power-source. This accessory will draw power from either a motor port on the Vex Microcontroller, or from the "AUX" port on the VEXplorer Receiver.
 - a. When using the Vex Microcontroller - plug the 2-prong connector into a 3-pin socket of a Motor Port such that the connector is against the flat edge (not the keyed edge) as shown. The key on the 2-prong Flashlight connector should NOT be inserted into the key of the socket.



- b. When using the VEXplorer Receiver, simply insert the 2-prong Flashlight connector into one of the 2-prong socket of the Auxiliary port (AUX). It will only connect one way.
3. Switch the Flashlight switch to "on".
 - a. Ensure the power-source (Vex Controller or VEXplorer Receiver) is turned on.

Limited 90-day Warranty
 This product is warranted by Innovation First against manufacturing defects in material and workmanship under normal use for ninety (90) days from the date of purchase from authorized Innovation First dealers. For complete warranty details and exclusions, check with your dealer.

Innovation First, Inc.
 1519 IH 30 W
 Greenville, TX 75402

For More Information, and additional Parts & Pieces refer to:
www.VexRobotics.com

10/07