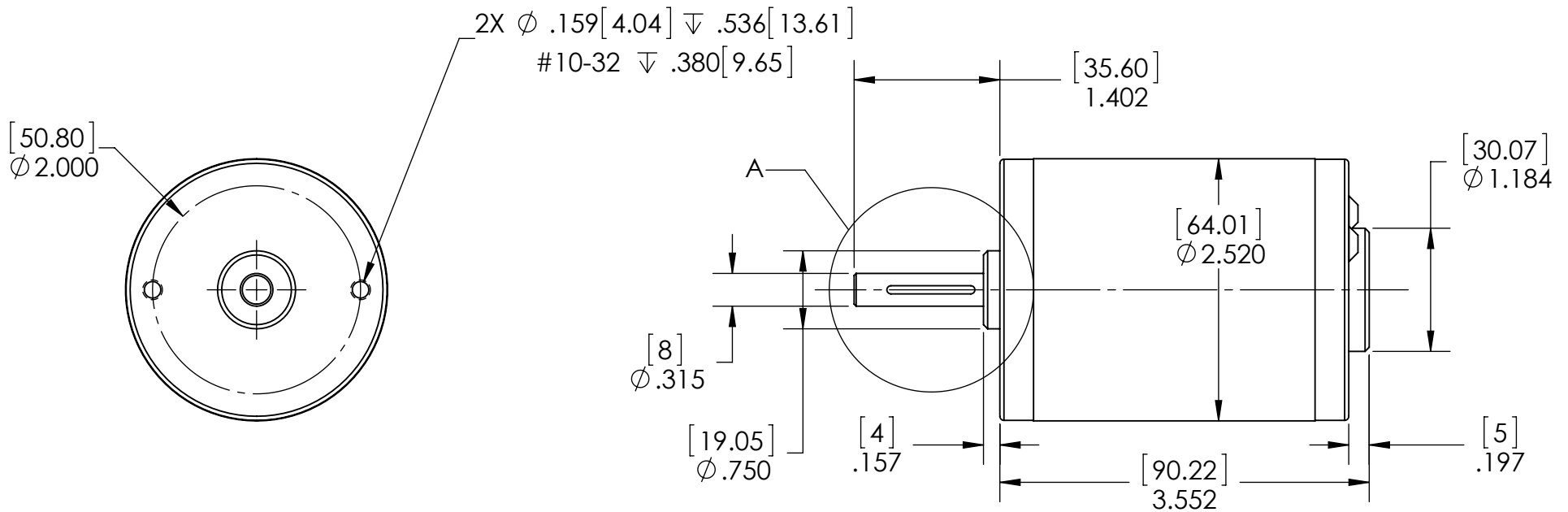
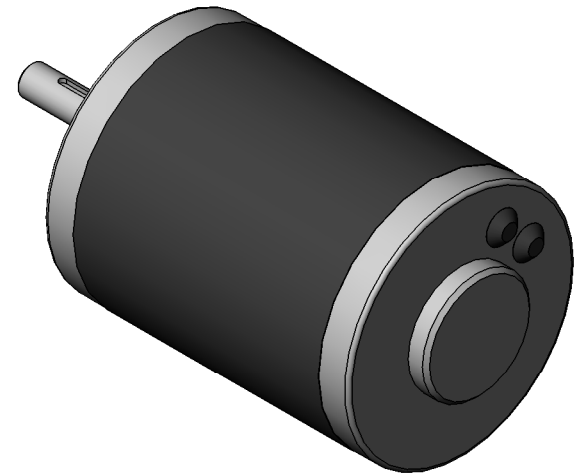


DETAIL A
SCALE 1 : 1



Description		MINI-CIM MOTOR	
Dwg No		217-3371-Release	
Project	VEXpro	Sheet 1 of 1	
Release	1/21/2014	ALL DIMENSIONS ARE IN INCHES [MM].	