

STOP!

This is an E-Revo with a Castle Creations Brushless System pre-installed from the factory. It is designed to eliminate guesswork and provide a truly Ready-To-Race® brushless powerhouse right out of the box. The E-Revo is manufactured by Traxxas and is backed by full Traxxas factory support. The installed Mamba Monster power system (electronic speed control, motor, on/off switch) is manufactured by Castle Creations. All support for the power system will be handled directly by Castle Creations and will be subject to Castle Creations' warranty and service terms. *Traxxas will not provide direct service and support for the installed power system. If you cannot accept this product support arrangement, do not run the model or open any of the enclosed materials.* Return the model to your hobby dealer. Note that your hobby dealer absolutely cannot accept an item for return or exchange after it has been run or is otherwise no longer in as-new condition.

The Power System is NOT WATERPROOF. Do not expose the power system to any type of water, condensation, or moisture.

E REVO

Brushless Addendum Quick Start Instructions

- Refer to supplied Castle Creations Mamba Monster instruction manual for full operation details.
- Read and follow all operating instructions prior to running the model.
- The information on this addendum and in the Castle Creations Mamba Monster instructions supersedes the information in the Traxxas E-Revo Owner's Manual.

Your E-Revo Brushless edition truck has been pre-programmed and "bound" to the transmitter at the factory. Follow these instructions to switch your model on:

1. Install the batteries in the transmitter as described in the E-Revo Owner's Manual on page 11.
2. Install the batteries in the E-Revo as described in the E-Revo Owner's Manual on page 12.
3. Make certain the throttle trim knob and throttle neutral switch are set as shown (right).
4. Switch the transmitter on.
5. Switch the speed control on.
You will hear a short sequence of tones as ALL the LEDs blink. The sequence will then repeat twice more, then the YELLOW LED will remain illuminated.
6. With the E-Revo's wheels off the ground, confirm correct operation of the throttle and steering system. Your E-Revo is ready to drive.



Make sure the throttle trim knob is centered.



Make sure the throttle neutral is set to 50/50.

Speed Control Programming Instructions

The Castle Creations Mamba Max speed control should not need reprogramming with normal use. However, if you install a different radio system in your model, or change the transmitter's throttle-neutral setting from 50/50 to 70/30, you will need to reprogram the speed control. Follow these instructions to reprogram the speed control:

1. Install the batteries of your choice in the battery compartments and plug the batteries into the speed control.
2. Switch on your transmitter.
3. Hold full throttle while you switch on the Mamba Monster controller.
After a few seconds, you will hear multiple tones and the RED LED will light.
4. Hold full brake. After a few seconds, you will hear multiple tones and the YELLOW LED will light.
5. Release the trigger to the neutral position. After a few seconds, you will hear multiple tones and ALL THE LEDs will light.

6. Wait a few more seconds for the speed control to 'arm,' indicated by a double-tone. You are now ready to drive.

TQ 2.4 Transmitter Binding Instructions

For proper operation, the transmitter and receiver must be electronically 'bound.' This has been done for you at the factory. Should you ever need to re-bind the system, follow these instructions:

1. Install batteries in the E-Revo and plug them into the speed control.
2. Press and hold the transmitter's SET button as you switch transmitter on. The SET LED will flash.
3. Press and hold the receiver's SET button as you switch receiver on. The SET LED will flash.
4. When both LEDs stop flashing (this will take just a moment or two), the system is bound and ready for use. Confirm that the steering and throttle operate properly before driving the model.

TQ 2.4 Transmitter Fail-Safe Operation

When bound to the transmitter, the 2.4GHz Micro Receiver automatically sets its fail-safe position to throttle neutral. This means the receiver will automatically return the throttle setting to neutral in the event of signal loss due to interference, low battery power, or accidentally switching the transmitter off while driving. When powered on, the receiver's green LED will glow to indicate Fail Safe mode is active. If the LED glows red, the Fail Safe mode has been deactivated. Use these steps to reactivate the Fail Safe system:

1. Switch the transmitter and receiver on.
2. Press and hold the receiver's SET button. The LED will flash once, then turn off. Continue to hold the SET button. After about three seconds, the LED will flash on and off. It will continue flashing as long as you hold the SET button.
3. Release the SET button. The LED will now light green and glow steadily, indicating Fail Safe mode is active.

Should you ever wish to deactivate the Fail Safe mode (for example, when using a speed control that has its own Fail Safe circuitry), simply repeat the steps above.

Setting the TQ 2.4 Transmitter Throttle Endpoints

The Traxxas TQ 2.4GHz radio system is pre-set at the factory and is ready for use. If you wish to reprogram the receiver to make certain the throttle endpoints are correctly set, follow the steps below.

1. Switch the transmitter and receiver on.
2. Press and hold the receiver's SET button until the LED blinks red once then switches off. Release the SET button.
3. Pull the throttle trigger to the full-throttle position and hold until the receiver's LED blinks red twice.
4. Push the trigger to full brake and hold until the red LED blinks twice.
5. Return the trigger to neutral. The LED will blink three times then remain on (the LED will shine green if Fail Safe is active, or red if Fail Safe is disabled).

Note: although the vehicle will not respond to throttle commands during this procedure, as a precaution it is recommended that the speed control be unplugged from the receiver during programming.

Disconnect Batteries After Use

Always disconnect the batteries from the speed control when you are finished using your vehicle. The switch on the speed control only shuts off power to the receiver and servos. The speed control continues to draw power as long as it is plugged in and may over-discharge your batteries if they are left connected to the speed control.

Castle Creations Mamba Monster Warranty

Your Castle speed control is warranted for one (1) year from date of purchase to be free from manufacturing and component defects. This warranty does not cover abuse, neglect, or damage due to incorrect wiring, over-voltage, or overloading. If you have any questions, comments or wish to return your Castle speed control for warranty or non-warranty repair or replacement, please contact Castle Creations, Inc.

Castle Creations, Inc., 235 South Kansas Avenue, Olathe, KS 66061
Phone: (913) 390-6939, E-mail: support@castlecreations.com
www.castlecreations.com

E-Revo Brushless Gearing Chart

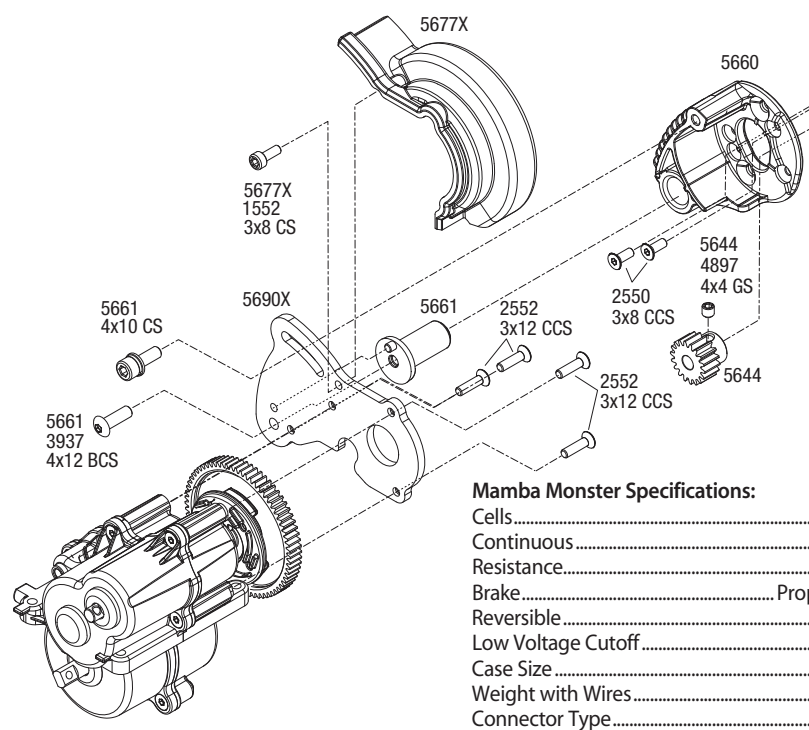
		Spur Gear					
		54	56	58	62	65	68
Pinion Gear	12	4.50	4.67	4.83	5.17	5.42	5.67
	13	4.15	4.31	4.46	4.77	5.00	5.23
	14	3.86	4.00	4.14	4.43	4.64	4.86
	15	3.60	3.73	3.87	4.13	4.33	4.53
	16	3.38	3.50	3.63	3.88	4.06	4.25
	17	3.18	3.29	3.41	3.65	3.82	4.00
	18	3.00	3.11	3.22	3.44	3.61	3.78
	19	NR	NR	3.05	3.26	3.42	3.58
	20	NR	NR	NR	3.10	3.25	3.40
	21	NR	NR	NR	NR	3.10	3.24
	22	NR	NR	NR	NR	NR	3.09
	23	NR	NR	NR	NR	NR	DNF
	24	NR	NR	NR	NR	NR	DNF
	25	NR	NR	NR	NR	NR	DNF

- B Stock gearing
- B Optional included gearing (4S LiPo)
- Recommended gearing for all battery types
- Recommended gearing for 4S LiPo only
- Not recommended
- Does not fit

E-Revo Brushless Edition Parts Addendum

- 2217 Receiver, mini 2.4 GHz (4-channel)Call
- 2228 Transmitter, 2.4GHz, 2-channel (transmitter only)Call
- 3956 Spur gear, 54-tooth (0.8 metric pitch).....\$3.00
- 3960 Spur gear, 65-tooth (0.8 metric pitch) (stock)..... \$3.00
- 5353X Wheel hubs, splined, 17mm (blue-anodized) (4)/ wheel nuts, splined, 17mm (blue-anodized) (4)/ screw pins, 4x13mm (with threadlock) (4)..... \$25.00
- 5372X Wheels, Gemini 3.8" (black chrome) (2) (use with 17mm splined wheel hubs & nuts, part #5353X) \$12.00
- 5374X Tires & wheels, assembled, glued (Gemini black chrome wheels, Talon tires, foam inserts) (2) (use with 17mm splined wheel hubs & nuts, part #5353X)..... \$40.00
- 5626 Mounting plate, electronic speed control (Castle Creations Mamba Monster brushless system)..... \$3.00
- 5677X Cover, gear/ 3x8mm CS (1) (for single motor installation, use with motor plate #5690X) \$3.50
- 5644 Gear, 18-T pinion (32-pitch) (fits 5mm shaft)/ set screw (stock)\$5.00
- 5690X Plate, motor (for single motor installation, use with gear cover #5677X)..... \$10.00

Available from Castle Creations:
 010-0062-01 Castle Creations Mamba Monster speed control with 2200Kv motor.....\$349.00



Mamba Monster Specifications:

- Cells..... 18 NiCad / NiMH 6s LiPo
- Continuous..... More than you can handle!
- Resistance..... 0.0003 Ohms per phase
- Brake..... Proportional with adjustable curve
- Reversible..... Yes - with lockout
- Low Voltage Cutoff..... Programmable
- Case Size..... 2.2" x 1.9" x 1.4"
- Weight with Wires..... 121g
- Connector Type..... 6.5mm bullet

