



Henkwell

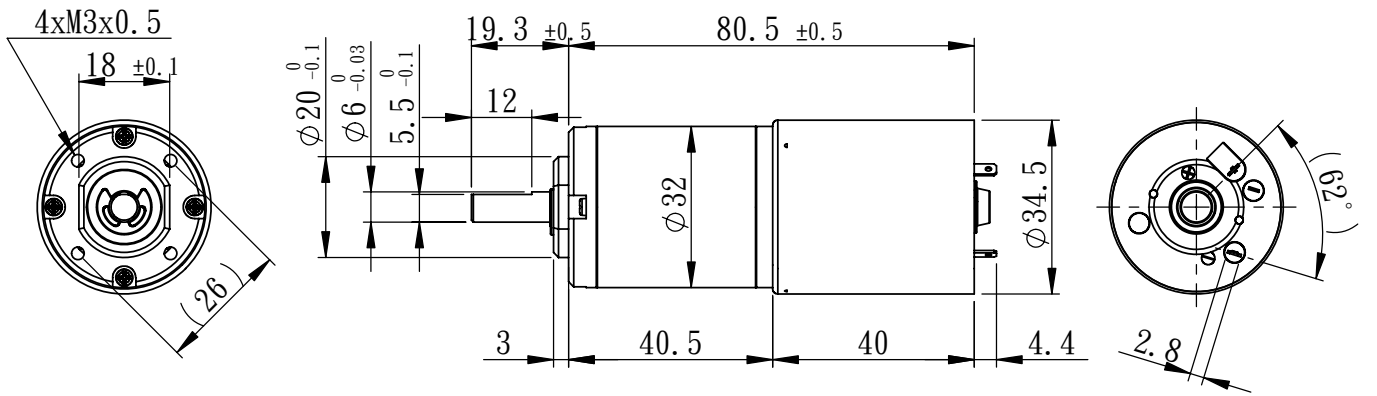
SPECIFICATIONS

DC Planetary Gear Brush Motor

MODEL NUMBER

PK32F260-516

DIRECTION OF ROTATION



(unit:mm)

A. Operating Conditions:

1	Operating Voltage Range	10~16	V DC	4	Operating Temperature	-10~+60	°C
2	Rated Voltage	12	V DC	5	Storage Temperature	-30~+85	°C
3	Nominal Voltage	12	V DC	6	Rated Load	12	kgf-cm

B. Electrical Characteristics:

1	No-load Current	0.18	A (MAX.)	6	Stall Current	5.0	A (MAX.)
2	No-load Speed	11.5±2	rpm	7	Insulation Resistance(500V)	20	MΩ (MIN.)
3	Rated-load Current	0.5	A (MAX.)	8	Dielectric Strength	250	AC V
4	Rated-load Speed	10.5±1	rpm	9	Motor Brush Type	Carbon Brush	~
5	Stall Torque	100	kgf-cm(MIN.)	10	Output Power at Max. Eff.	2.2	Watts

C. Mechanical Characteristics:

1	Gear Type	Planetary	~	7	Output shaft Radial Load	3	kgf(MAX.)
2	Gear Ratio	1/516	~	8	Output shaft Run-out	0.05	mm(MAX.)
3	Gear Material	Mixed	~	9	Shaft End play	0.30	mm(MAX.)
4	Rated Tolerance Torque	15	kgf-cm(MAX.)	10	Bearing Type	Ball	~
5	Momentary Tolerance Torque	45	kgf-cm	11	Net Weight	295±10	grams
6	Output shaft Axial Load	2.5	kgf(MAX.)				